

SUST100: Principles of Sustainability

**Andrew Kerins, PhD
Danville Area Community College (DACC)
Danville, IL**



Background Information



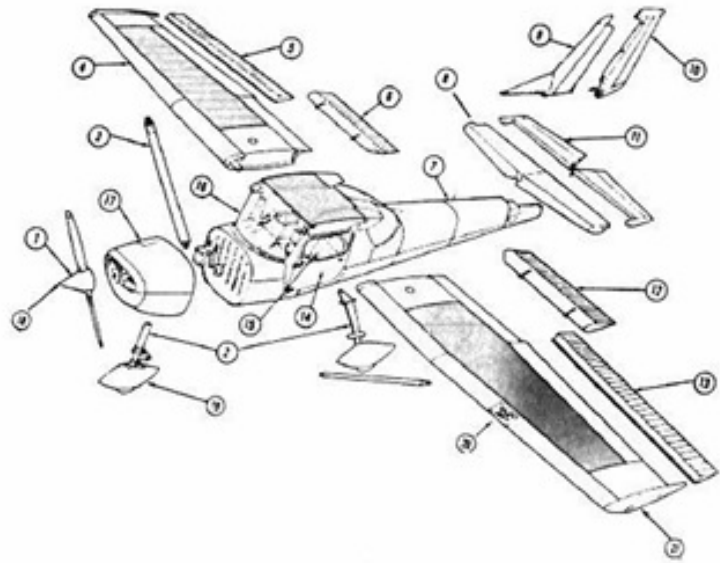
**IGEN Career
Pathways**

Course Development Advantages

- Advantages on Campus
 - Campus Sustainability Plan passed by Board of Trustees in July 2013
 - Supportive Administration
 - Examples of sustainable and not-so-sustainable practices
- Off Campus Resources
 - Supportive local businesses
 - Local affiliate of Keep America Beautiful
 - Statewide connections through IGEN

Course Development Challenges

- Working solo
- Soliciting help, especially for selecting a textbook
- Work experience and educational background
- Adapting to the student population



Looking Ahead

- Student Projects on Campus
 - Campus Sustainability Day – 10/22/14
 - Earth Day – 4/22/15
- Spring Course Offerings
 - SUST100 – Principles of Sustainability
 - SUST125 – Introduction to Green Business
 - SUST150 – Green Facilities Management
- Student Projects off Campus
- Expanding Educational Programs

Questions



Danville Area Community College
Danville, IL



Andrew Kerins

217-443-8578

akerins@dacc.edu