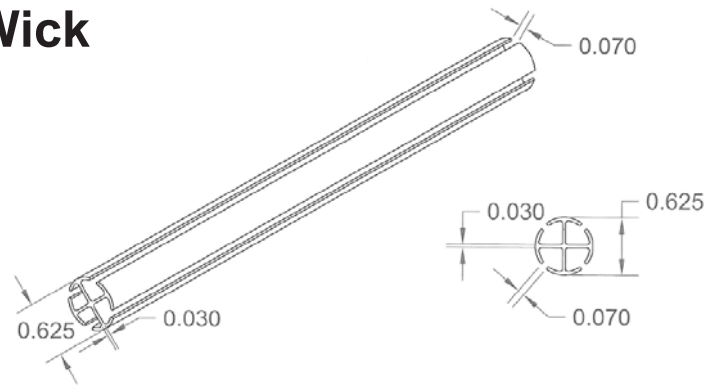


## Water Quality Inlet Wick

### Specifications of Wicks:

- ♦ .030 Wall Thickness
- ♦ .070 Slot Openings
- ♦ .625 OD
- ♦ Color: Green
- ♦ Material: HDPE

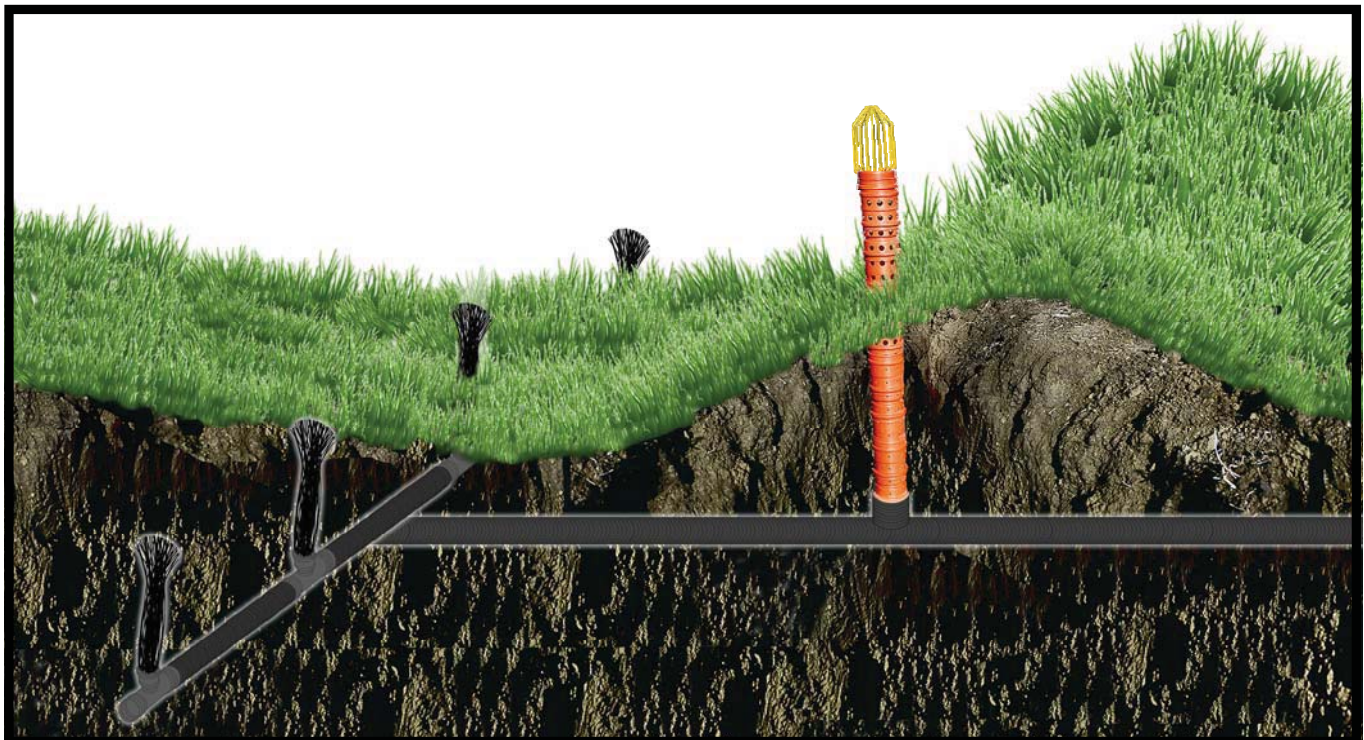


### Applications That Water Quality Inlets Can Be Used For:

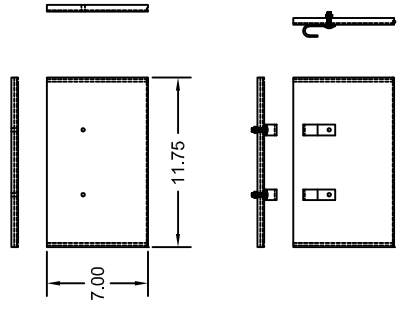
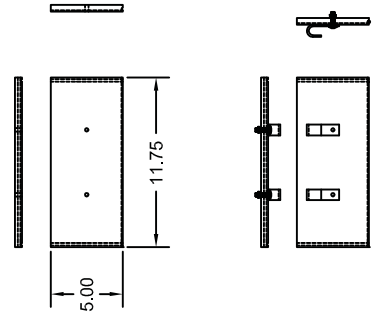
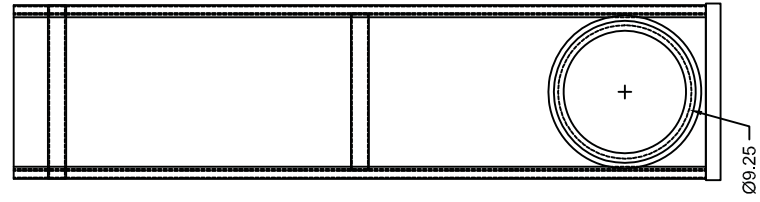
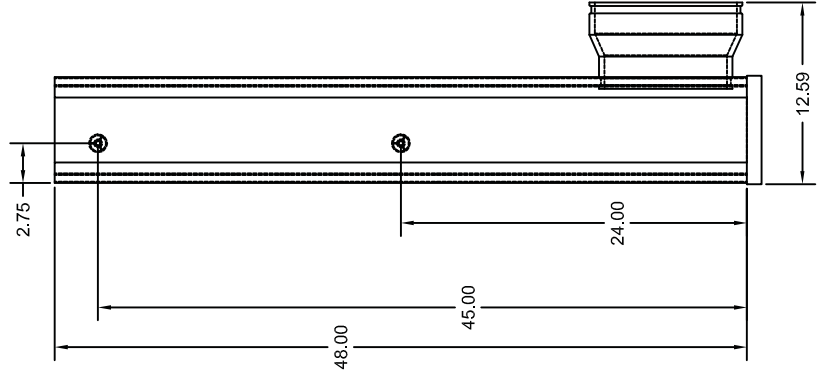
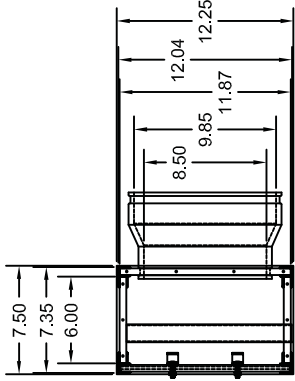
- ♦ Grassed Buffer with Water Quality Inlets on tile outlet terraces. (See image below.)
- ♦ Use in aquaculture ponds to eliminate fish loss.
- ♦ Replacement of standard inlets to achieve equal or greater flow and improved water quality impacts.
- ♦ For use in tall grass and high trash areas to eliminate plugged intakes.
- ♦ May be used for outlet guards if there are ditch cleaning activities.
- ♦ Can be used in bioreactor to allow water to be introduced or removed over large areas.
- ♦ For residential settings, to provide an inlet which can be maintained, mowed and is aesthetically pleasing.

### Grassed Buffer With Water Quality Inlets On Tile Outlet Terraces

In order to **improve water quality** by reducing the transport of sediment, phosphorus, and other waterborne pollutants to tile lines and surface waters and to reduce the velocity and volume of drainage, to reduce flooding, and to reduce soil particles from entering infield structures (i.e.: bio reactors, wetlands, saturated buffers, and drainage water management systems) from terrace channel inlets we recommend considering modifying the design of the channel to include a grass buffer and a series of water quality inlets installed in the channel of the terrace to slowly drain and filter normal rainfall and a conventional terrace channel inlet installed at 1 to 1½' above the flow line of the channel to act as a safety overflow to protect the structure during high rainfall events.



PART NO.	REV. 00	CO. AGRI DRAIN CORP.	MATERIAL:	DESCRIPTION	REVISIONS	DATE	BY
----------	---------	----------------------	-----------	-------------	-----------	------	----



UNLESS OTHERWISE SPECIFIED  
 ALL DIMENSIONS ARE IN INCHES.

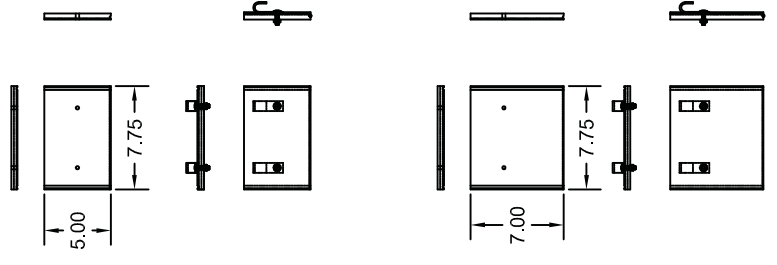
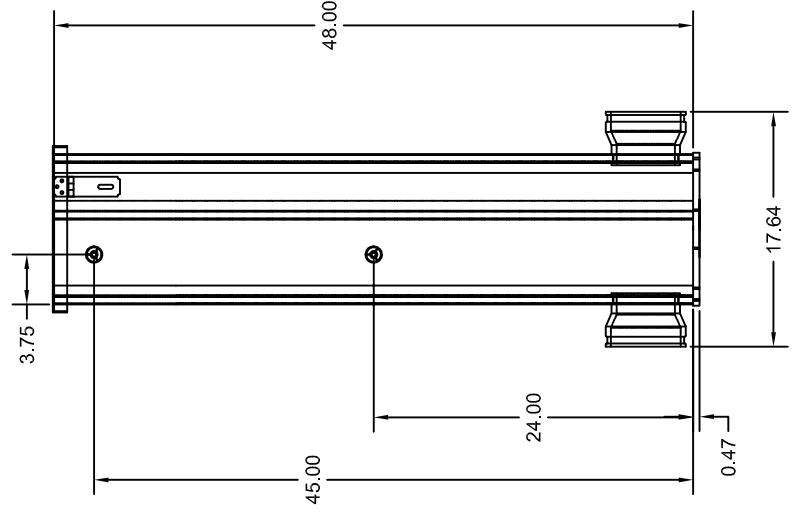
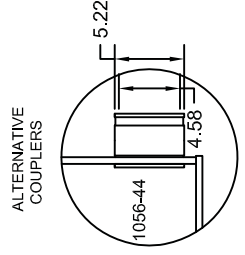
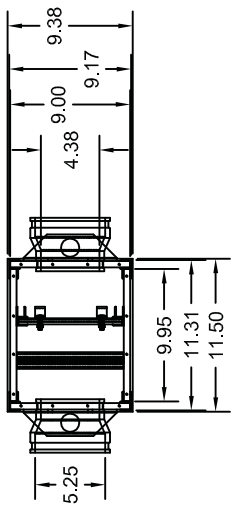
.X ±.06  
 .XX ±.03  
 .XXX ±0.10  
 ANGLES ±2°  
 BREAK ALL SHARP CORNERS.

ALL INFORMATION CONTAINED IN THIS DOCUMENT IS PROPRIETARY TO AGRI DRAIN CORP. DUPLICATION OR TRANSMITTAL OF THIS DOCUMENT IS STRICTLY PROHIBITED WITHOUT THE WRITTEN CONSENT OF AGRI DRAIN CORP.

ITEM	QTY	ITEM DESCRIPTION	PART NO.
		<b>Agri Drain CORPORATION</b> <i>America's Most Complete Supplier of Water Management Products</i> P.O. Box 458 - 1462 340th St. - Adair, IA 50002 - Ph: 1-800-232-4742 - Fax 1-800-282-3355 - www.agridrain.com	
TITLE			
INLET 08" X 48" WCS			
DATE: 10AUG05	DRAWN BY: T.HUSS	PART NO.	REV. 00

DRAWN WITH 1002-88 COUPLER

PART NO.	REV.	CO. AGRI DRAIN CORP	MATERIAL:	REV	DESCRIPTION	REVISIONS	DATE	BY
----------	------	---------------------	-----------	-----	-------------	-----------	------	----



UNLESS OTHERWISE SPECIFIED  
ALL DIMENSIONS ARE IN INCHES.

.X ±.06  
.XX ±.03  
.XXX ±.010  
ANGLES ±2°  
BREAK ALL SHARP CORNERS.

ALL INFORMATION CONTAINED IN THIS DOCUMENT IS PROPRIETARY TO AGRI DRAIN CORP. DUPLICATION OR TRANSMITTAL OF THIS DOCUMENT IS STRICTLY PROHIBITED WITHOUT THE WRITTEN CONSENT OF AGRI DRAIN CORP.

ITEM	QTY	ITEM DESCRIPTION	PART NO.
		<b>Agri Drain CORPORATION</b> <i>America's Most Complete Supplier of Water Management Products</i> P.O. Box 458 • 1462 340th St. • Adair, IA 50002 • Ph: 1-800-232-4742 • Fax 1-800-282-3353 • www.agridrain.com	
		TITLE	
		<b>INLINE 4" X 4' WCS</b>	
DATE: 07AUG02	DRAWN BY: D. CLAUSSEN	PART NO.	REV.

DRAWN WITH 1002-44 COUPLER